

# EASTERN TABLETOP

Innovating Buffet Solutions For Everyday Operations

**MOVE  
FORWARD**

**THINK  
BIG**

## VERSATILITY AT YOUR FINGERTIPS

When we set out to create the Ultimate Buffet Station, we looked at how we could improve the entire serving process from start to finish. With HUB & ZOZZ combined, Eastern delivers simple, yet powerful, buffet solutions that allow you to expand, reimagine and heighten your events in minutes. When you invest in Eastern products, you gain a partner that will never stop innovating for your hospitality business.

We design with you in mind.

Sol & Brenda

**THE  
HUB**



**FROM ONE BUFFET STATION TO A COMPLETE BUFFET SUITE**

**Plan Your Ultimate Buffet Here**

[BUFFET PLANNER](#)

# THE HUB

THE ORIGINAL JUST GOT BETTER



Watch live video  
for this product.

# THE HUB

Forward advancement of craftsmanship led to the supremacy of the HUB. When genius design gets coupled with quality you have a true winner. GET ROLLING.



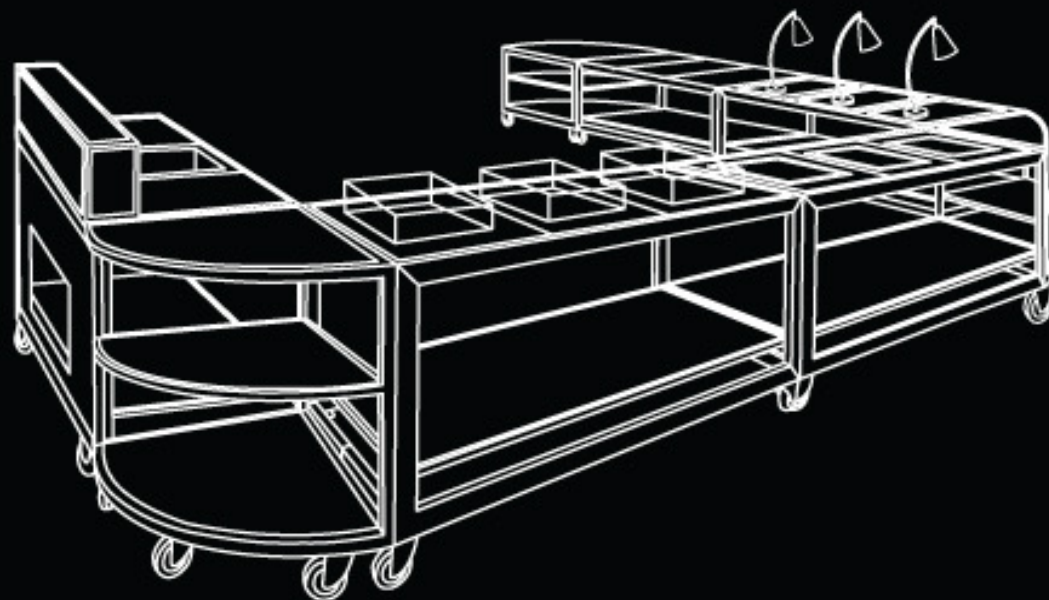
**EASTERN**  
TABLETOP

# THE HUB

# PERFORMANCE.

- FULLY COLLAPSIBLE,  
MOBILE BUFFET SYSTEM

- STURDY STAINLESS  
STEEL FRAME WITH  
REMOVABLE PANELS



- NEW COMPONENTS AVAILABLE

THE HUB TABLE FRAME

# THE HUB FULLY COLLAPSIBLE DESIGN



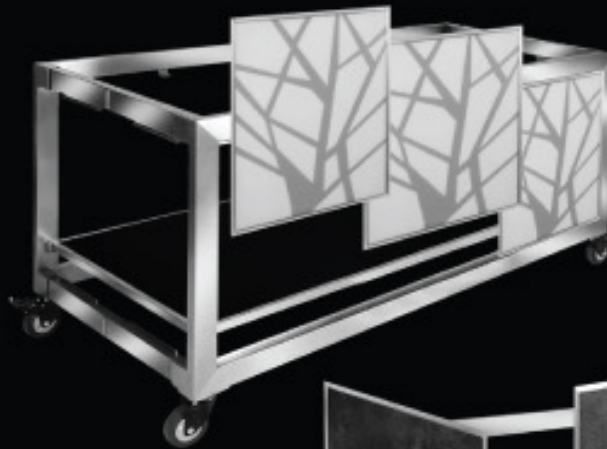
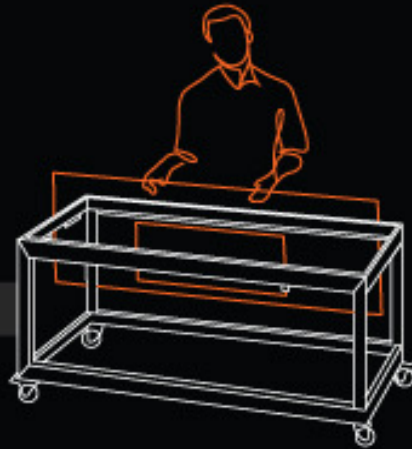
MODEL #ST5000

- ONE PIECE CONSTRUCTION
- ZERO HARDWARE
- STAINLESS STEEL FRAME
- CHOICE OF COLOR FOR FRAME
- EASY TRANSPORT - HEAVY DUTY LOCKING CASTERS

THE HUB TABLE PANELS

# THE HUB QUICK & EASY ASSEMBLE

SCRATCH RESISTANT LAMINATE PANELS



- CHOICE OF PANELS
- 1/3 AND FULL FRONT LAMINATE IN VARIETY OF COLORS
- SIDE LAMINATE IN VARIETY OF COLORS
- WOVEN VINYL WRAP AROUND PANELS 40+ COLORS
- PERFORATED STAINLESS STEEL MESH CHOICE OF COLORS
- SELF-STICK SCREEN PRINTING ONTO PANELS. VARIETY OF STOCK OR CUSTOM IMAGES



THE HUB TABLE TILE

# THE HUB CHOOSE YOUR FUNCTION



- GRIDDLE
- ICE BINS
- CUTTING BOARD
- INDUCTION OPTIONS
- HOT PLATE
- OMELETTE STATION
- MANY MORE

## THE HUB TABLE BAR KIT

# THE HUB COLLAPSIBLE BAR DESIGN

### BAR COMBOS

- FRAMES INCLUDED
- STAINLESS STEEL TILES
- CHOICE OF PANELS
- COORDINATING BAR TOP PANELS
- SPEED RAILS
- DROP IN SINKS AND ICE BINS
- COLLAPSIBLE TABLE WITH BOTTOM SHELF



DROP-IN SINK



SPEED RAIL



SS TILE



BAR TOP



FRAME



Watch live video  
for this product.

**EASTERN**  
TABLETOP

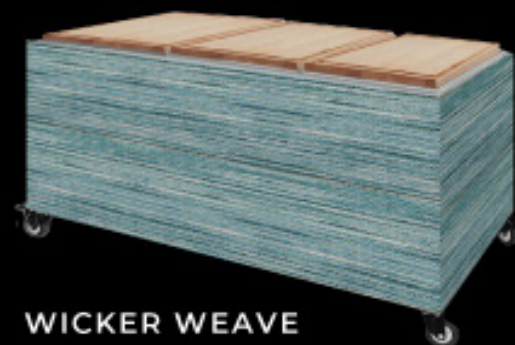
## THE HUB TABLE PANELS

# THE HUB DECOR COLLECTION

- PERFORATED STAINLESS STEEL PANELS CHOICE OF COLORS
- WICKER WEAVE - ANTIMICROBIAL VINYL PANELS
- 40+ COLORS
- VARIETY OF STOCK IMAGE SCREENS
- CUSTOM IMAGE OR LOGO OPTIONS



STAINLESS STEEL  
PERFORATED



WICKER WEAVE



SCREEN PRINTING

**VERSATILITY.**

**SIMPLICITY.**

**POWERFUL.**



EXPANDING YOUR BUFFET IS AS  
SIMPLE AS 1-2-3



Watch live video  
for this product.

# ZOZZ

MODULAR FLAT PACK

ZOZZ by Eastern brings you more innovation! Our Stretch Buffet is multi-functional and fully collapsible. It also works with existing HUB panels, so you can combine, mix and match.

We are so excited to continue to share this amazing product with you!

## THE STRETCH BUFFET

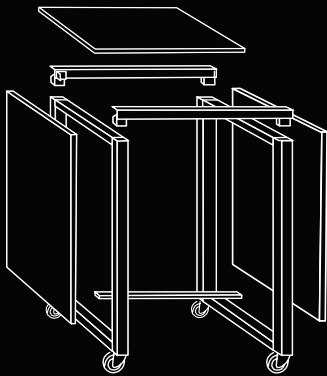


ADVANCEMENT • MULTI-FUNCTIONAL

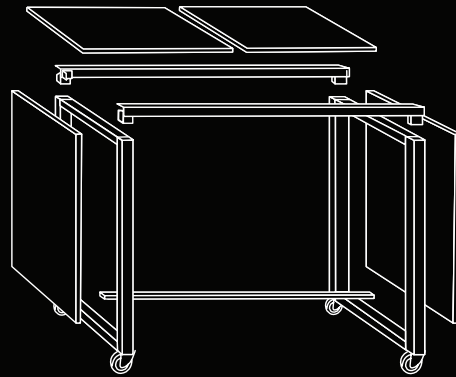
**ZOZZ**  
MODULAR FLAT PACK

## STRETCH BUFFET

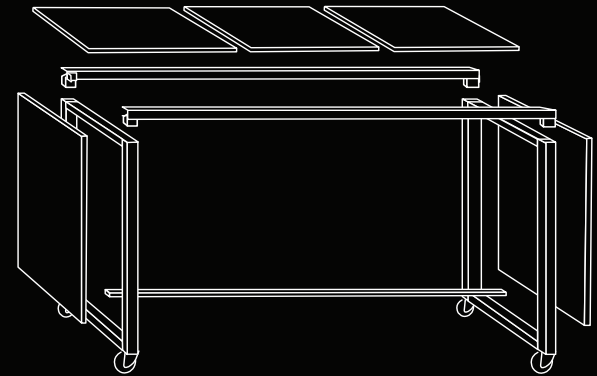
The Freedom of Movement ushers in the new era of buffet mobility with flat pack compact storage solutions.



1



2



3

One set of side frames can be used for 3 size table lengths.  
1, 2 or 3 tile table length.

**ZOZZ**  
MODULAR FLAT PACK

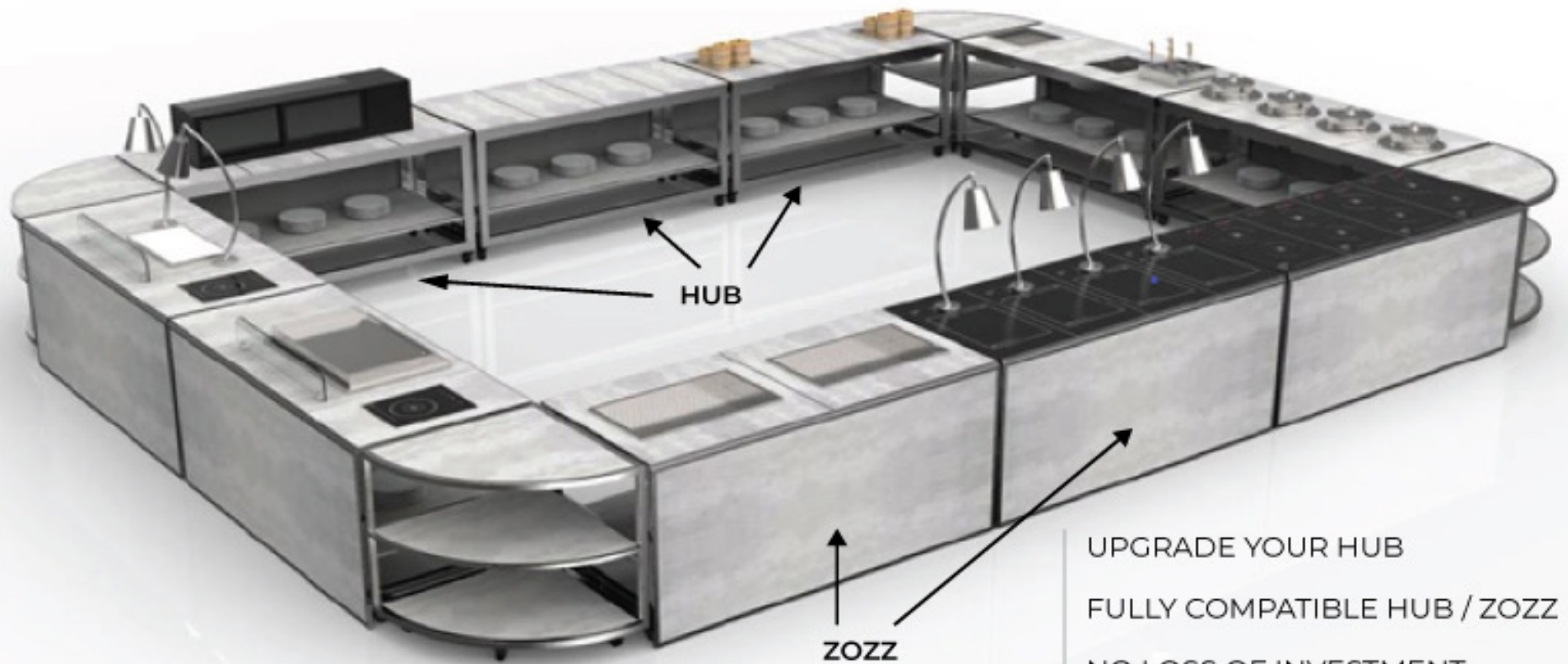
# The ZOZZ Stretch Buffet!

Designed with the concept of

- DESIGN UPGRADE FULLY COVERED FRAMES
- EASY TRANSPORT - HEAVY DUTY LOCKING CASTERS
- NO HARDWARE NEEDED
- COMPACT STORAGE SOLUTIONS
- 1-3 TILE DESIGN







UPGRADE YOUR HUB  
FULLY COMPATIBLE HUB / ZOZZ  
NO LOSS OF INVESTMENT

A one-time purchase that lasts a lifetime.

Timeless design and performance on day one. Invest with confidence.



## **BAR OPTIONS**





## **PORTABLE BAR 3 Panel Set**

ALL HUB TILES FIT ZOZZ COLLECTION



- STAINLESS STEEL AND REVERSIBLE OPTIONS
- SINGLE SIDED OR DOUBLE SIDED 3 PANEL SET

AVAILABLE IN GREY GRAIN/BLACK OR CHARCOAL / SANDSTONE



# PORTABLE BAR 3 Panel Set

ALL HUB TILES FIT ZOZZ COLLECTION

FRONT VIEW

COORDINATING TOP COUNTER



CHOICE OF LAMINATE COLORS



HIDDEN LOCKING CASTERS





## **PORTABLE BAR 3 Panel Set**

ALL HUB TILES FIT ZOZZ COLLECTION

**BACK VIEW**



- REMOVABLE COUNTER
- LOCKING CASTERS
- TWO REMOVABLE SPEED RAILS
- DOUBLE WALL ICE BIN WITH VALVE DRAIN
- BOTTOM SHELF FOR EXTRA STORAGE

**THE  
HUB**

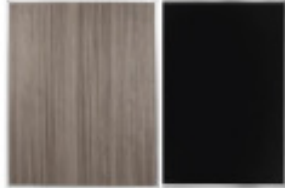


# PORTABLE TILE TILE FUNCTIONS

ALL HUB TILES FIT ZOZZ COLLECTION



SANDSTONE/CHARCOAL



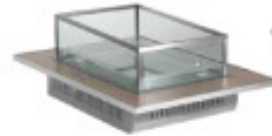
GRAY GRAIN/BLACK



STAINLESS STEEL



GLASS



RAISED ICE BIN



DROP-IN ICE BIN



COMPLETE ICE BIN



WOODEN BUTCHER BLOCK



CUTTING BOARD



BUTCHER BLOCK



SQUARE COOKING  
INDUCTION



SINGLE ROUND  
WARMING INDUCTION



DOUBLE ROUND  
WARMING INDUCTION



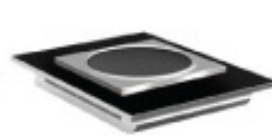
GRIDDLE



OMELETTE STATION



HOT PLATE



HOT POT



DIMSUM



PLATE WARMER



PORTABLE BATTERY

• MORE HUB AND ZOZZ TILE OPTIONS AVAILABLE

**THE  
HUB**



## **PORTABLE TILE TILE FUNCTIONS**

ALL HUB TILES FIT ZOZZ COLLECTION



BLACK



GRAY GRAIN



STAINLESS STEEL



SANDSTONE



CHARCOAL



OPTIC REFLECTOR

### ANTIMICROBIAL WOVEN VINYL



BLUE LAGOON



KOZO ABALONE



TANGO CHARM

### SCREEN PRINT COLLECTION UNLIMITED PRINTING OPTIONS AVAILABLE ON WEBSITE



### PERFORATED COLLECTION



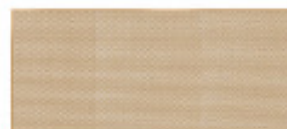
STAINLESS STEEL



BLACK



COPPER



BRONZE

**THE  
HUB**



## CORNER CARTS

REVERSIBLE PANEL PORTABLE SELF-STANDING CORNER CARTS

BRIDGE THE GAP



BLACK



GRAY GRAIN



SANDSTONE



CHARCOAL



STAINLESS STEEL



**EASTERN**  
TABLETOP



**THE  
HUB**



## TILE CONNECTORS

INDIVIDUAL FLOATING CONNECTOR TILE  
BRIDGE THE GAP



BLACK



GRAY GRAIN



SANDSTONE



CHARCOAL



STAINLESS STEEL



## SPACE SAVING TILE CONNECTORS

**THE  
HUB**



**STORAGE CART  
QUICK ASSEMBLY  
NO HARDWARE**



**THE  
HUB**

**ZOZZ**  
MODULAR FLAT PACK

**FAQ**

## **Why is this the most efficient buffet system?**

- Mobile and portable
- Collapses to fold for storage
- Can be used to store equipment
- NO hardware needed
- NO tools or instruction manual needed
- Products are IN STOCK and ready to ship

## **What are some key extra features?**

- Stainless steel edged tiles protect corners
- EcoServe tile with EcoBurners fully function for both warming and cooking
- XYLO frame coating available for custom color options
- Batteries available in 1500 watt one battery per unit  
or 5000 watt one battery per table
- Battery conveniently stores under table frame and is out of sight
- Eastern's Bayonne factory is TOP RATED for customer support

# EASTERN TABLETOP

**Corporate Headquarters, Showroom & Warehouse:**

Eastern Tabletop Manufacturing Company Inc.  
50 Ingham Avenue  
Bayonne NJ 07002

**Telephone:**

1-718-240-9595

**Toll Free:**

1-888-422-4142

Connect with us on social media!



Visit [www.EasternTableTop.com](http://www.EasternTableTop.com) for full product details.

